

Product: KLUDI E2 concealed thermostatic mixer, trim set with functional unit

Ref.: 497290575

Product description

concealed thermostatic mixer
trim set with functional unit
without shut-off valve
hot water safety device 38 °C
without pre-installation set
KLUDI FLEXX.BOXX item no. 88011

Finishes:
05 chrome

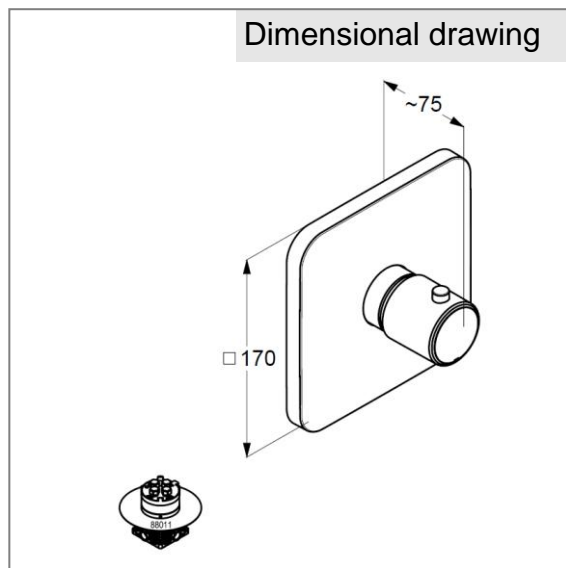
Product picture



Advertisement

concealed thermostatic mixer, manufacturer KLUDI GmbH & Co. KG
KLUDI AMBA item no. 497290575
type: concealed thermostatic mixer trim set with functional unit THM for pre-installation set KLUDI FLEXX.BOXX DN 20 item no. 88011, without shut-off valve, handle chrome plated metal, cover plate chrome plated plastic, temperature control handle with hot water safety device 38°C, flow rate 40 l/min at 3 bar, functional unit made of dezincification resistant brass,
dimensions: diameter cover plate: 170/170 mm, handle projection: ~75 mm
Suitable for pre-installation set KLUDI FLEXX.BOXX DN 20 item no. 88011, not included.

Dimensional drawing



Flow rate diagram

