

**Product:** KLUDI ADLON shower mixer DN 15

**Ref.:** 51610 .. 20

**Product description**

shower mixer DN 15  
 cross handles  
 wall fastening  
 flow class B  
 ceramic headparts 180°  
 shower outlet G 1/2  
 protected against back flow  
 S unions  
 without KLUDI ADLON shower set  
 noise group I  
 KIWA

Finishes:  
 05 chrome  
 45 permabrass

**Product picture**

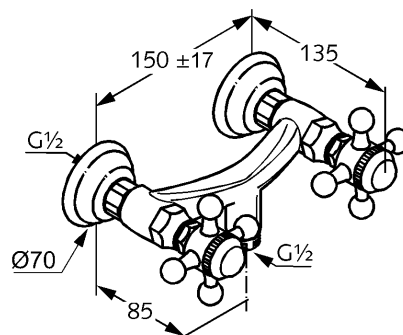


**Advertisement**

- \* KLUDI GmbH & Co KG KLUDI ADLON shower mixer item no. 51610..20
- \*\* ceramic headparts 180 °, DIN EN 200 // KIWA appr.
- \*\*\* brass, DIN 50930-6

shower mixer, manufacturer KLUDI GmbH & Co KG KLUDI ADLON shower mixer item no. 51610..20, DN 15, finishes: 05 = chrome / 45 = permabrass plated brass, ceramic headparts 180 °, type: shower mixer wall mounted DN 15, shower outlet 1/2 inch, protected against back flow DIN EN 1717, noise level DIN EN 4109 group I, without report no., KIWA approval, projection 135 mm, cross handles, S unions 1/2 x 3/4 inch, for pressure type water heater, for continuous line heater, PN 10,

**Dimensional drawing**



**Flow rate diagram**

